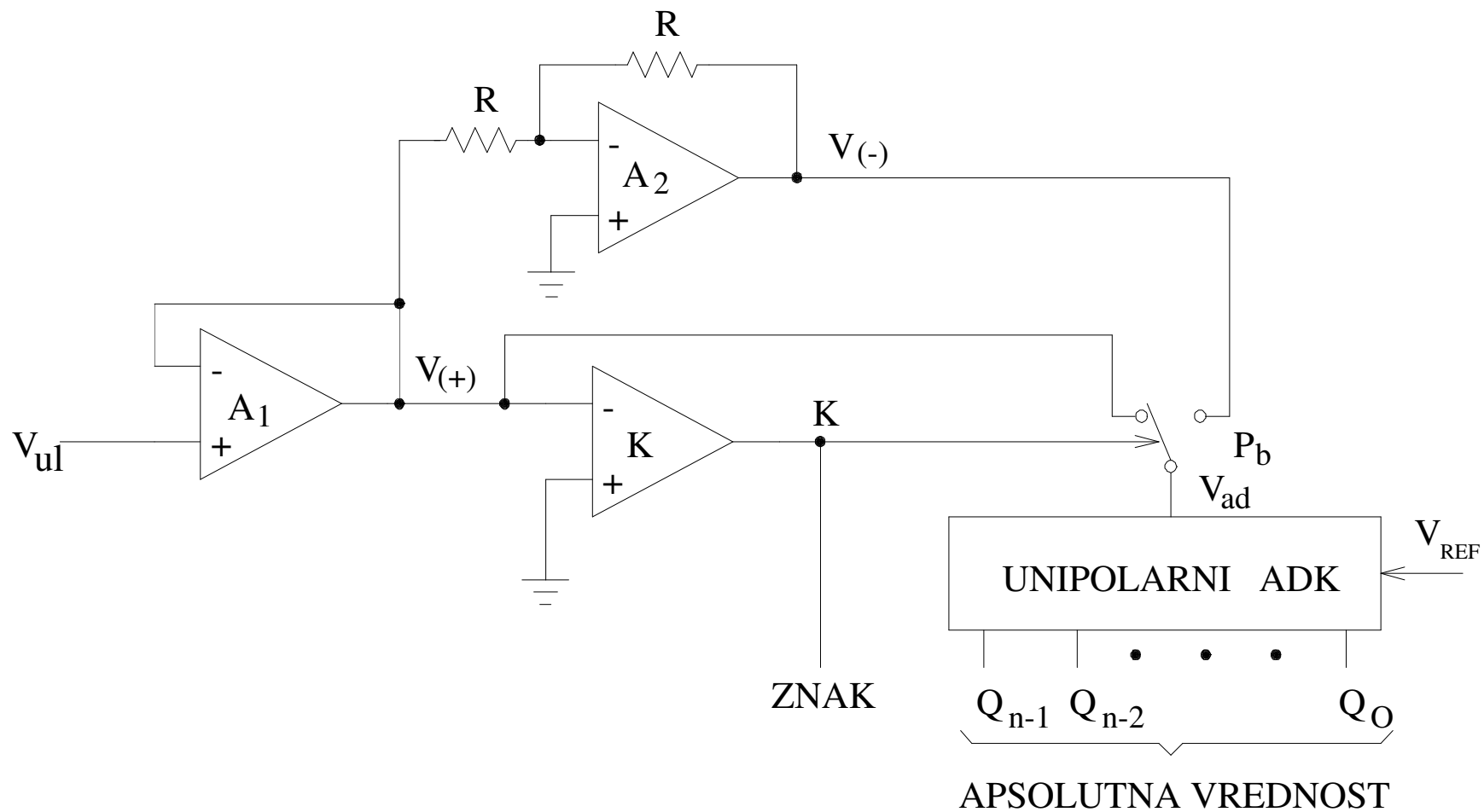
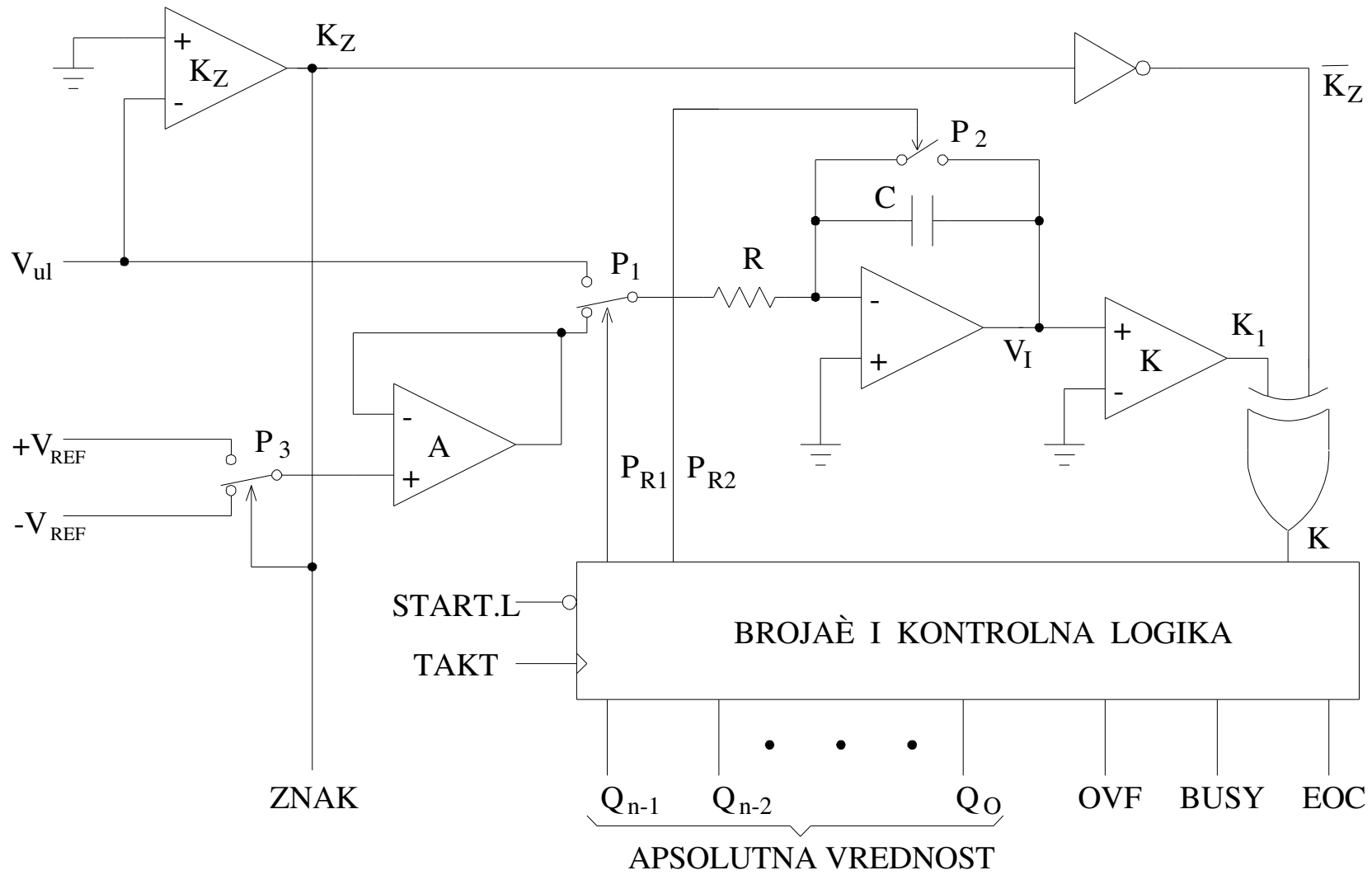
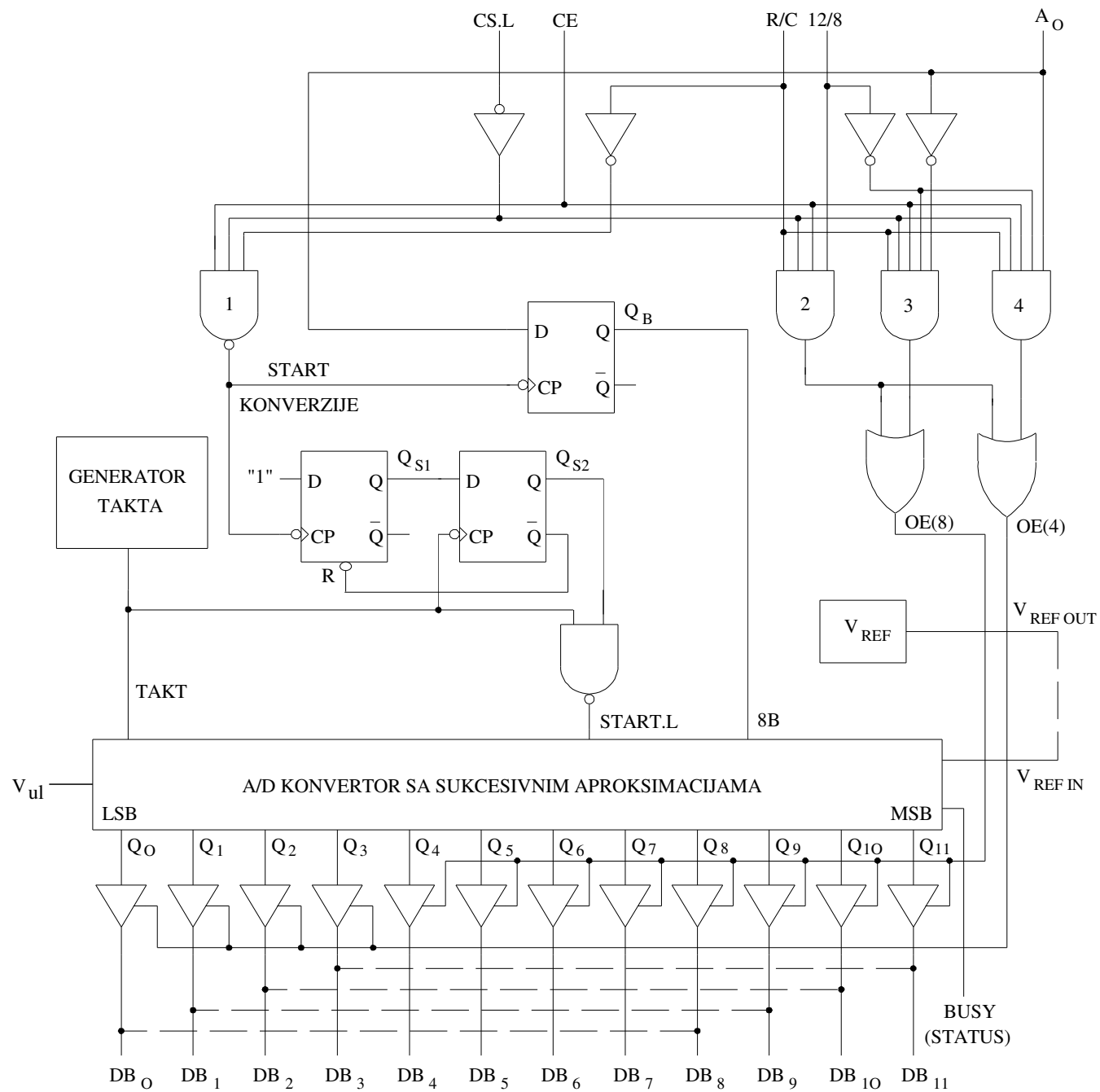


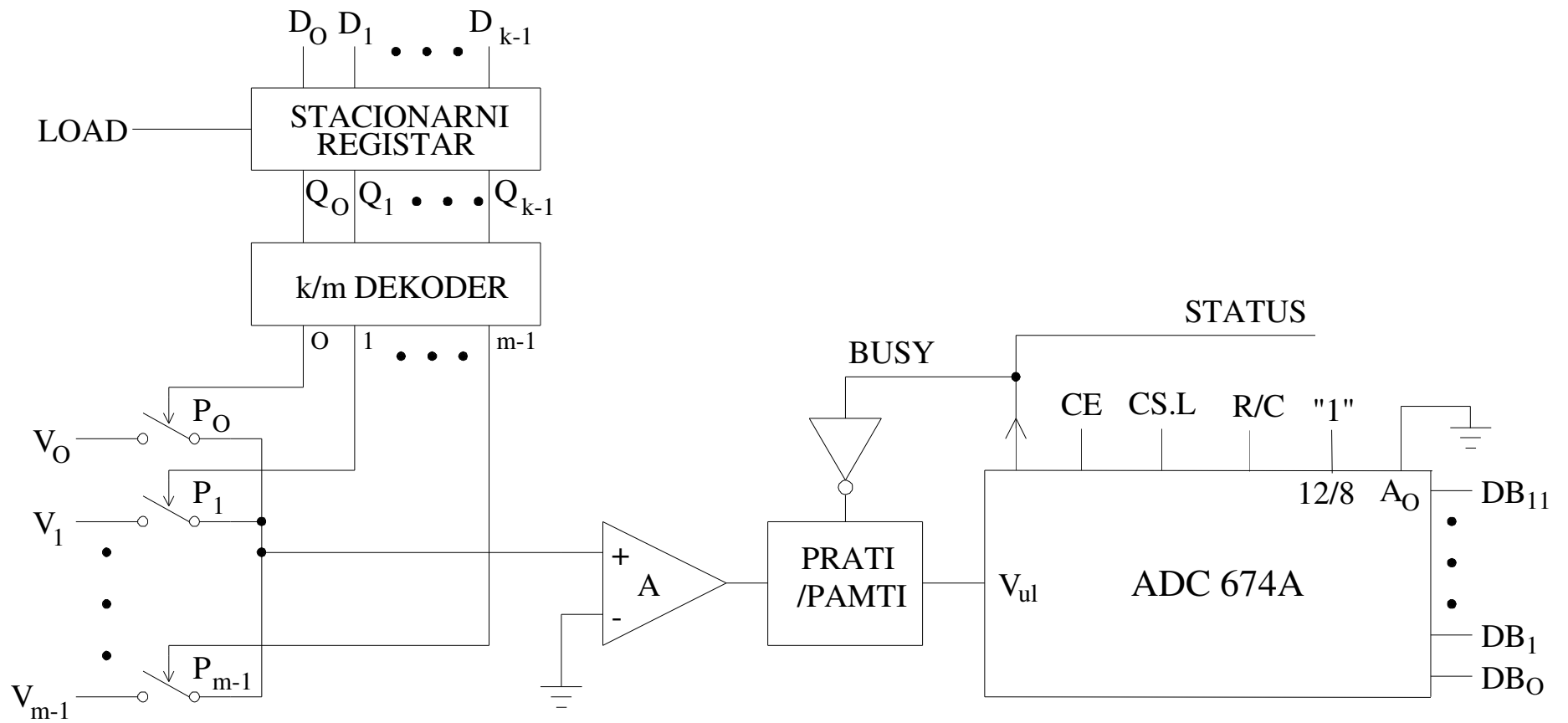
BIPOLARNI A/D KONVERTORI

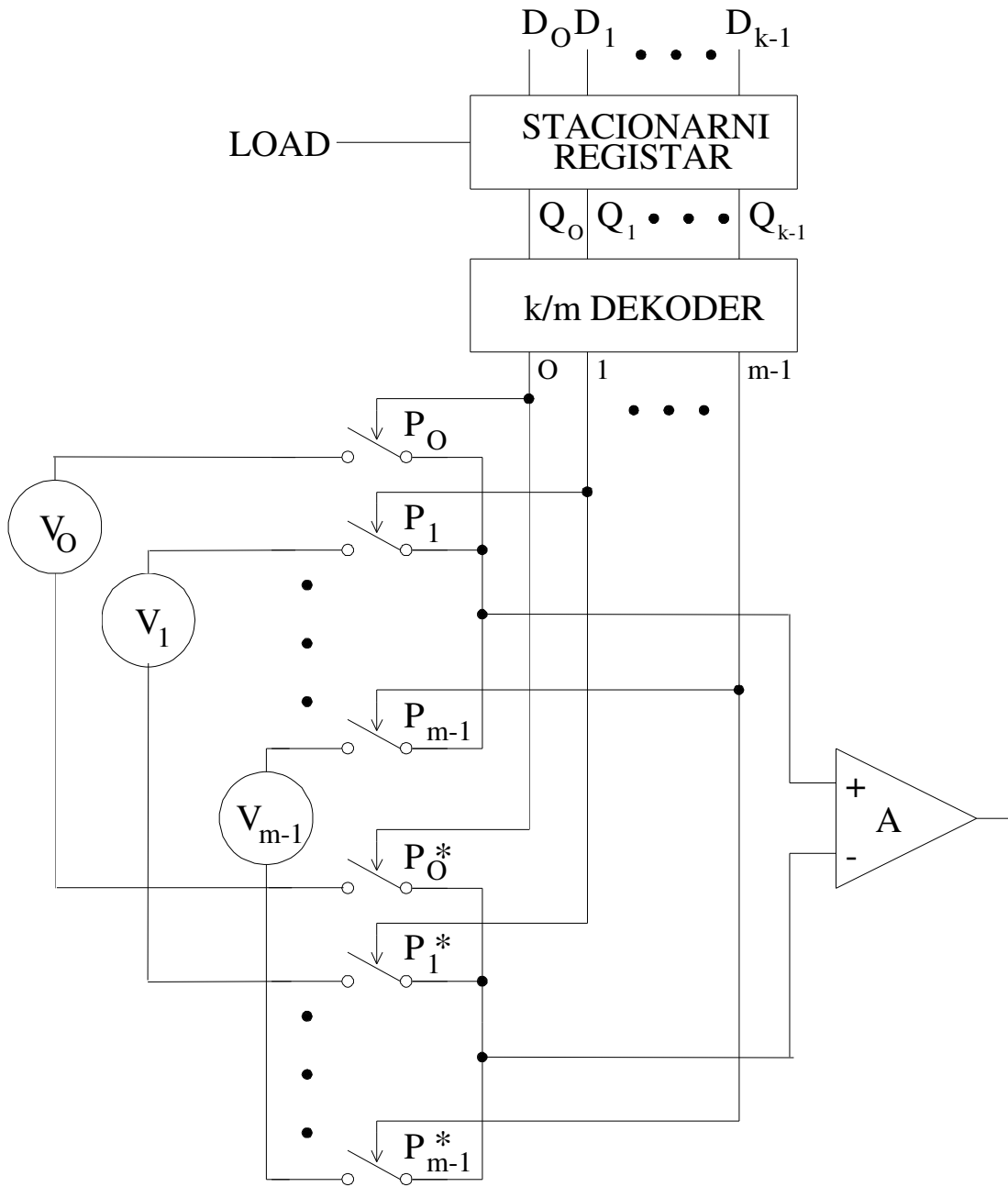


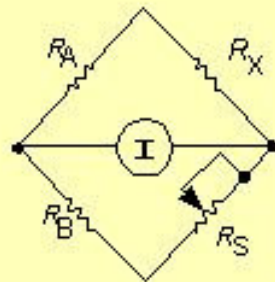
- Flash: $+REF = V_{ref}/2$, $-REF = -V_{ref}/2$. Izlazni kôd je sa binarnim ofsetom, a ako se invertuje MSB bit, izlazni kôd je u komplementu do dva
- A/D konvertor sa sukcesivnim aproksimacijama: bipolarni DAK sa binarnim ofsetom \rightarrow . Izlazni kôd u binarnom ofsetu, komplement MSB bita, izlazni u komplementu do 2



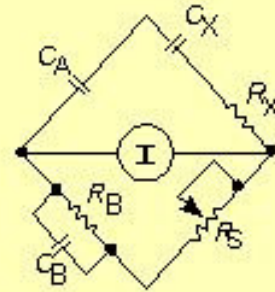




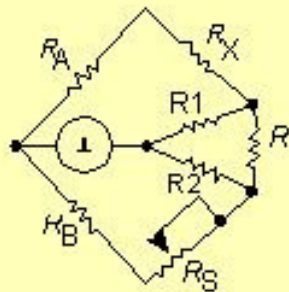




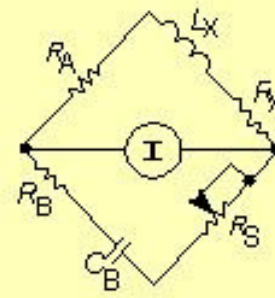
WHEATSTONE BRIDGE



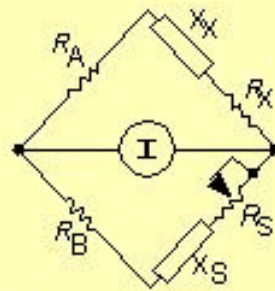
SCHERING BRIDGE



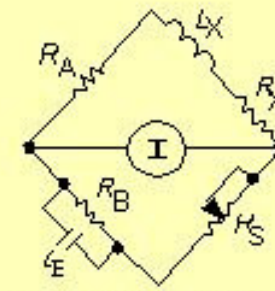
KELVIN BRIDGE



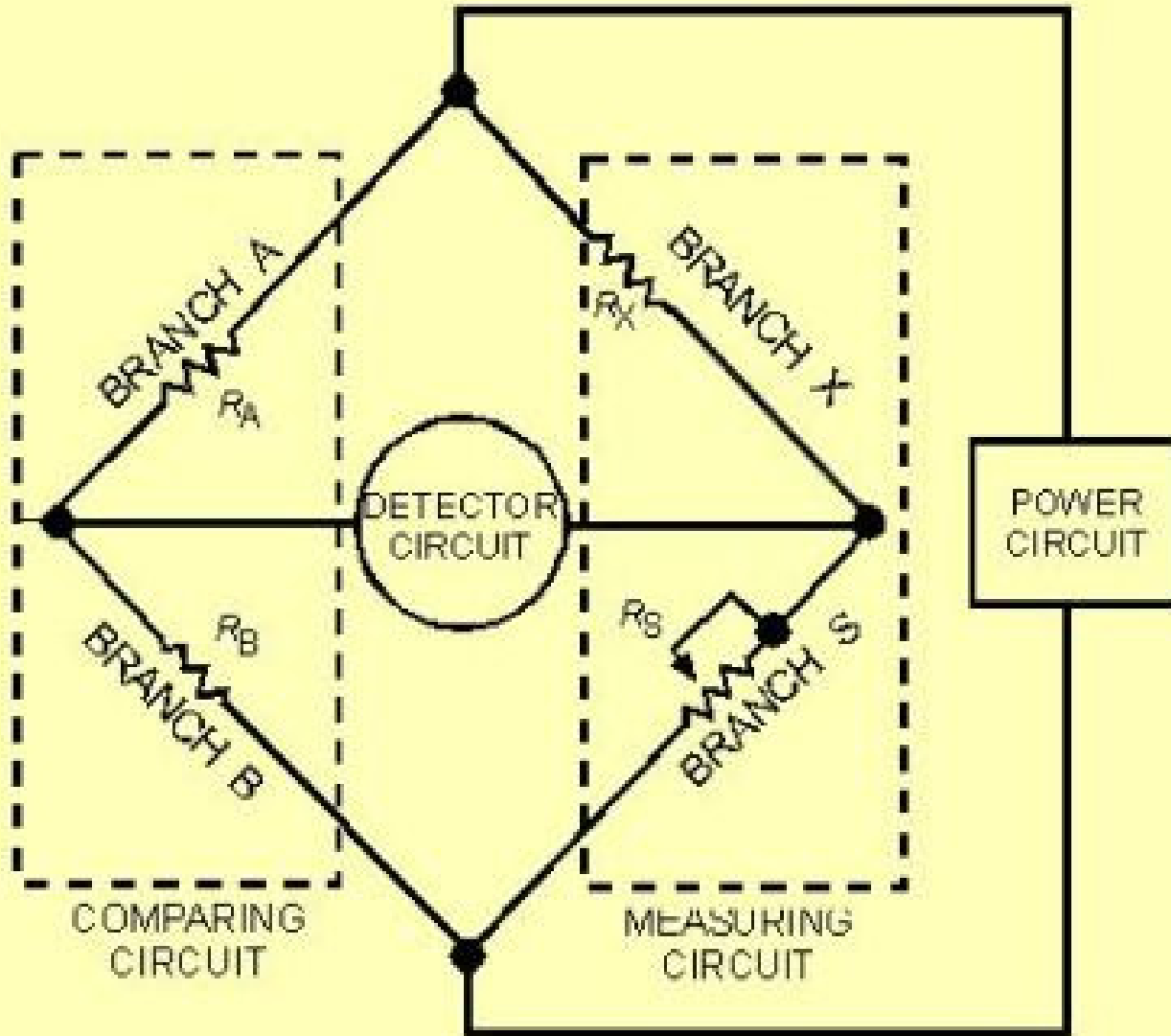
HAY BRIDGE



RESISTANCE-RATIO BRIDGE



MAXWELL BRIDGE



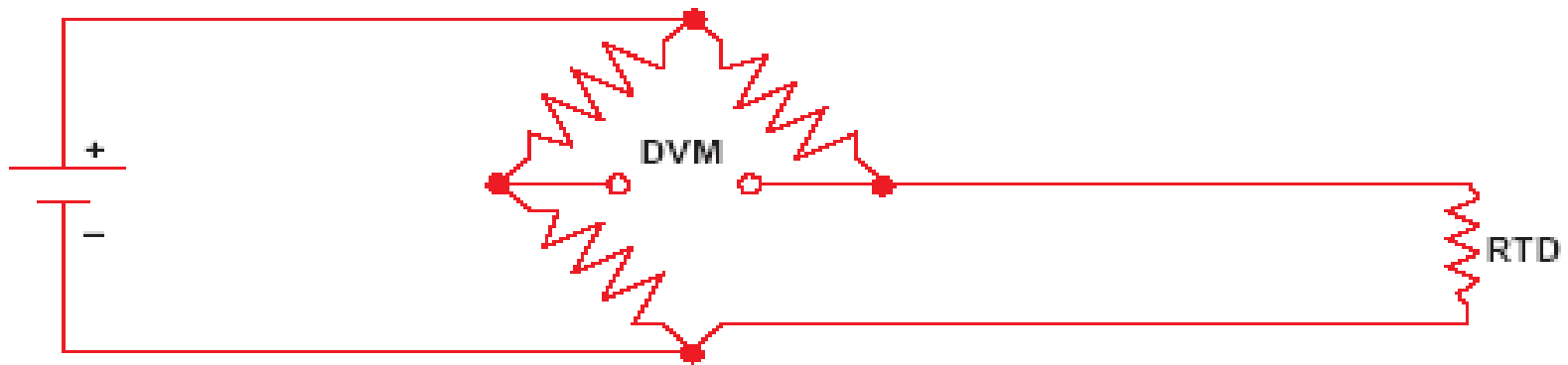
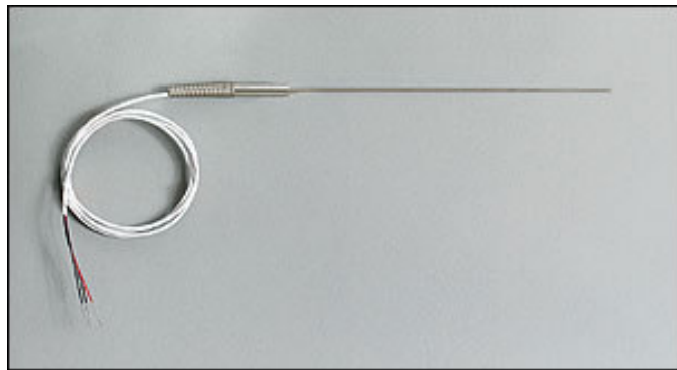


Figure 40



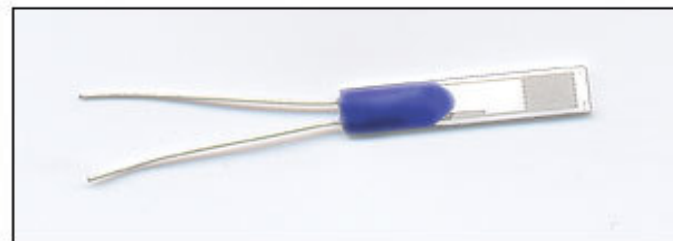
Typical RTD Probes



Thick Film Omega Film Element



Glass sealed Bifilar Winding



Thin Film Omega TFD Element



MODEL 6675A AUTOMATIC DCC

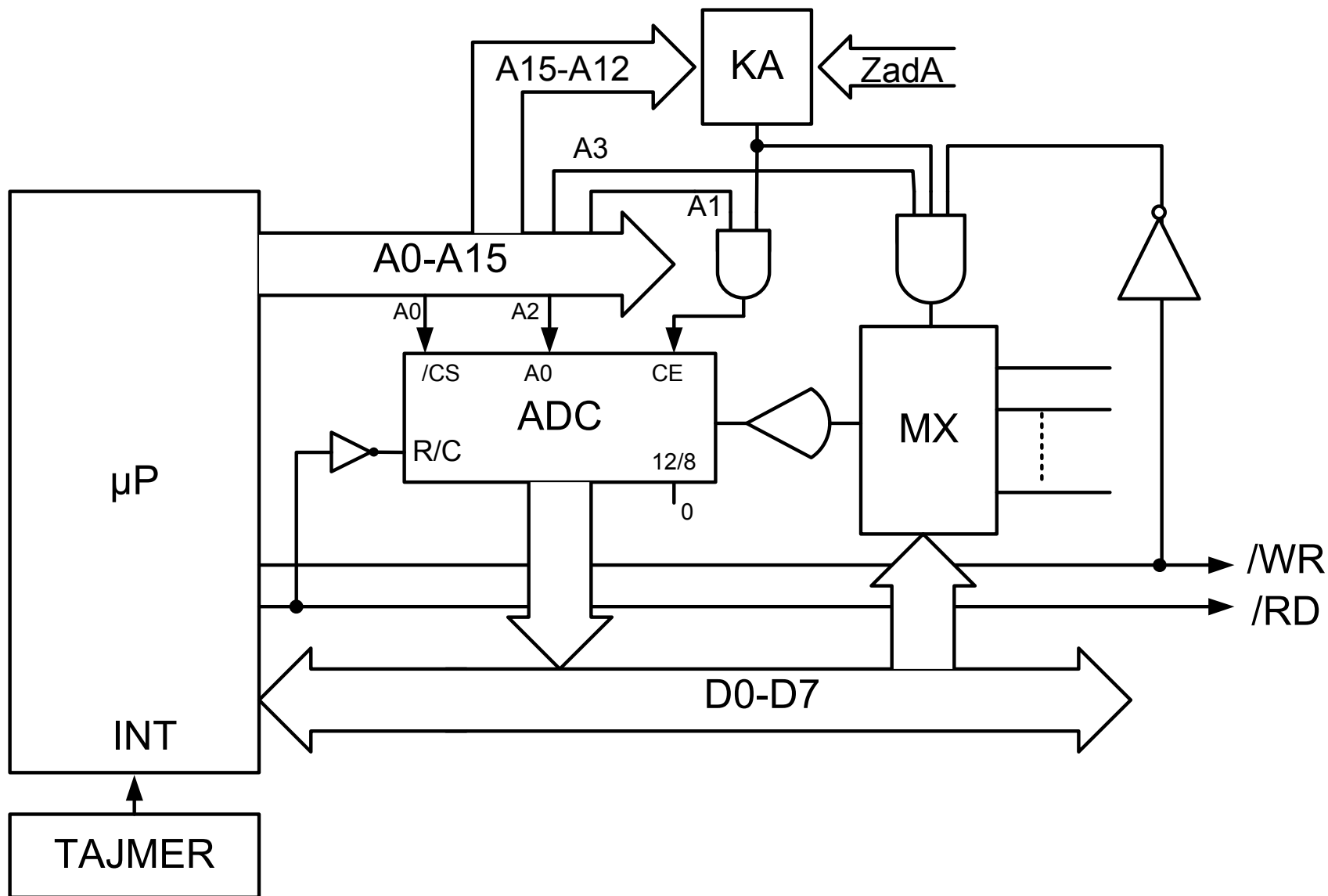
RESISTANCE/TEMPERATURE BRIDGE

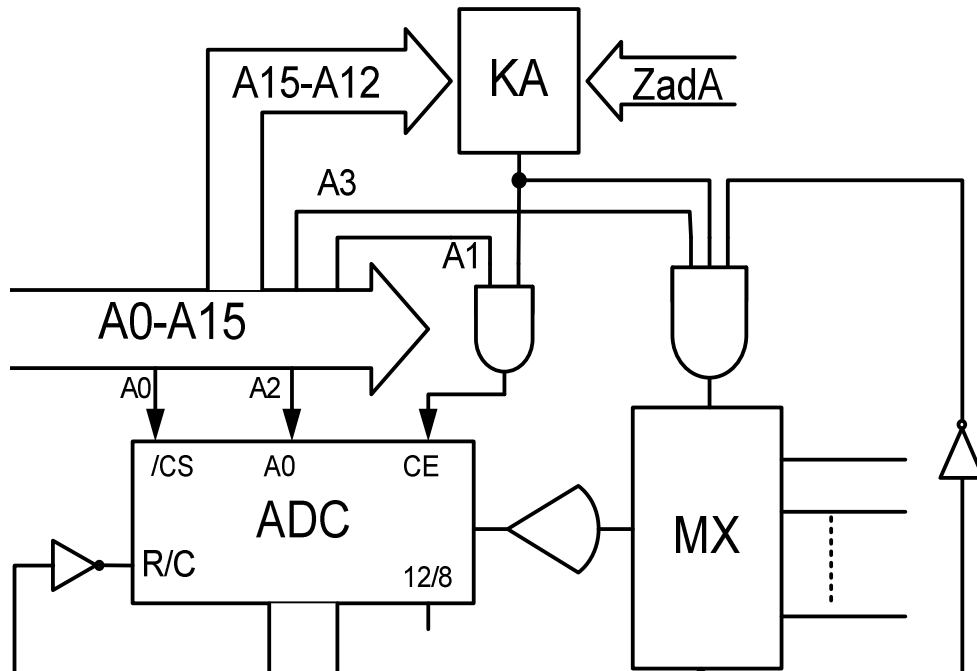
COMPLETE WITH RESCAL™ THE BEST JUST GOT BETTER!



The Guildline 6675A is an Automatic Direct Current Comparator (DCC) Resistance and Temperature Bridge, complete with ResCal™ Data Acquisition Software. The automatic bridge has a front panel keypad and a built-in menu driven display. It is micro-processor based and enables the ratio measurement of two resistances, or PRT's, to an accuracy of better than 0.1 ppm. The linearity of the bridge is better than 0.01 ppm of full scale and the resolution is one part in 10^9 . It has a measurement range of 1m Ω to 1G Ω , or with the use of the 6623 range extender, 1 μ Ω to 1G Ω . Direct reading in ohms or degrees Celsius can be selected on the front panel display or through ResCal™ Software. These impressive specifications make the 6675A state-of-the-art and provide the best performance available in a wide range commercial instrument of this type.

Povezivanje na magistralu bez S/H i bez provere *Busy*





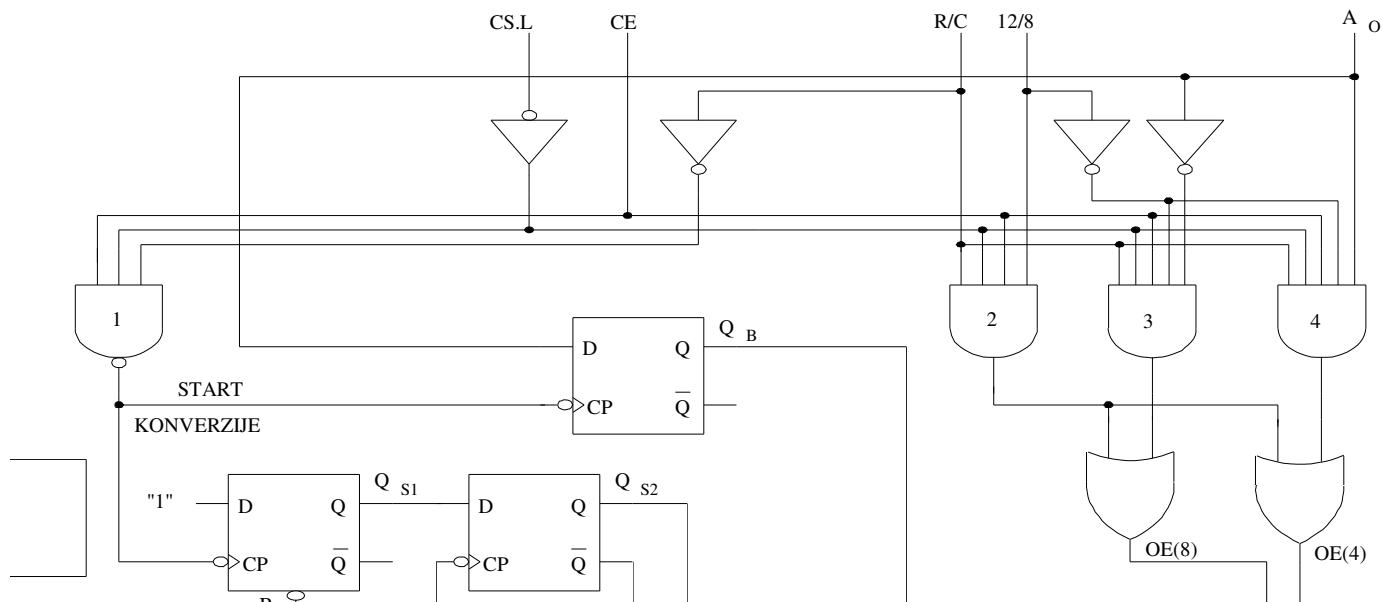
ZadA=F

MXaddr=F008

StartAdr=F002

RD4Adr=F006

RD8Adr=F002



Sigma Delta AD

